

M.5

hex 24 / 27
Ready-wired

Hex 24 / hex 27

Ready-wired pressure switches

Custom designs



- Available with all commercial plug-in types and individual cable length.
- Technical details of ready-wired pressure switch types correspond to those of the same standard pressure switch types¹⁾
- High protection classes IP67 or IP6K9K, required in particular in commercial vehicle construction, mobile hydraulics and similarly demanding applications
- With ready-wired pressure switches, the plug connections can be moved in climatically uncritical or low-vibration areas, if required.
- The modular layout also enables the production of lower volumes.
- The switching point is factory-set to a fixed value.²⁾

¹⁾ Different technical details will be agreed with the customer.

²⁾ Exception: The switching point of 0240 / 0241 can be adjusted on site even after the sealing process.

Hex 24 / hex 27

Custom designs

All hex 24 and hex 27 pressure switches can be individually wired according to customer needs.

Standard types suitable for ready-wiring

<p>0163 / 0166 0164 0167 0169</p>	<p>0168</p>	<p>0170 / 0171 0180 / 0181 0190 / 0191 0196 / 0197</p>	<p>0140 / 0141</p>
			
<p>Technical details page 41</p>	<p>Technical details page 41</p>	<p>Technical details page 53</p>	<p>Technical details page 53</p>
<p>The switching point is factory preset and cannot be changed subsequently, so please state the switching point when ordering.</p>		<p>The switching point is adjustable even after sealing.</p>	

A selection from the wide variety of connectors we can supply

<p>Connector to DIN 72585-A1-4.1</p>	
<p>AMP Junior Timer®</p>	
<p>Cannon connector</p>	
<p>AMP Superseal 1.5°</p>	
<p>Packard connector (Weather Pack® 2-wire)</p>	
<p>Packard connector (Weather Pack® 3-wire)</p>	
<p>Deutsch connector (DT 06 - 2S)</p>	
<p>Deutsch connector (DT 04 - 2P)</p>	
<p>Deutsch connector (DT 04 - 3P)</p>	

M.5
hex 24 / 27
Ready-wired



Please note our detailed information on

- CE marking
- protection class
- custom applications

in the general technical explanations on page 8, and the technical explanations on mechanical pressure switches on page 14.

For gas applications below 10 bar (145 PSI) we generally recommend venting the housing for encapsulated pressure switches.

Please contact us so we can offer you a suitable solution.

M

0240 / 0241

Diaphragm / piston pressure switches, hex 27

Technical details

Refer to page 54 for electrical values

Rated working voltage:	max. 42 V / 250 V depending on connection	
Rated working current:	max. 2 A	
Protection class:	2, protective insulation	
Temperature resistance of sealing materials:	NBR (diaphragm pressure switch)	-40 °C ... +100 °C
	NBR (piston pressure switch)	-30 °C ... +100 °C
	EPDM	-30 °C ... +120 °C
	FKM (diaphragm pressure switch)	-5 °C ... +120 °C
	FKM (piston pressure switch)	-15 °C ... +120 °C
	FFKM	-20 °C ... +120 °C
	Silicone	-40 °C ... +120 °C
	HNBR	-30 °C ... +120 °C
Switching frequency:	200 / min	
Mechanical life expectancy:	1,000,000 cycles (for diaphragm pressure switches, life expectancy value only applies for switching pressures to max. 50 bar)	
Pressure rise rate:	≤ 1,000 bar/s	
Hysteresis:	Average value 10 – 20 % (not adjustable)	
Vibration resistance:	10 g / 5 – 200 Hz sine wave, DIN EN 60068-2-6	
Shock resistance:	294 m/s ² ; 14 ms half sine wave, DIN EN 60068-2-6	
Materials:	Housing material: zinc-plated steel Protective cap: anodised aluminium	
Protection class: IP67	IP67	
Cable:	Standard length 2 m with wire end sleeves	
Weight:	approx. 120 g	

Options for 0240 / 0241

- Other cable lengths and plug-in systems
- Fixed switching point, factory-set, set point embossed on housing
- Alternative housing materials and connection threads
- Other sealing materials, such as silicone for diaphragm pressure switches

0240 / 0241

Diaphragm / piston pressure switches, hex 27

- Zinc-plated steel (CrVI-free)
- Overpressure safety up to 300 / 600 bar¹⁾
- Switching point can also be adjusted during use
- Protection class 2, protective insulation

p _{max} in bar	Adjustment range in bar	Tolerance at room temperature in bar	Male thread	Article number
----------------------------	----------------------------	---	-------------	----------------

0240 Diaphragm pressure switches

300 ¹⁾	0.3 – 1.5	± 0.2	G 1/4	0240 - 457 03 - X - 003
			NPT 1/8	0240 - 457 04 - X - 300
			NPT 1/4	0240 - 457 09 - X - 305
			7/16-20 UNF	0240 - 457 20 - X - 310
			9/16-18 UNF	0240 - 457 21 - X - 315
	1 – 10	± 0.5	G 1/4	0240 - 458 03 - X - 006
			NPT 1/8	0240 - 458 04 - X - 301
			NPT 1/4	0240 - 458 09 - X - 306
			7/16-20 UNF	0240 - 458 20 - X - 311
			9/16-18 UNF	0240 - 458 21 - X - 316
	10 – 20	± 1.0	G 1/4	0240 - 459 03 - X - 009
			NPT 1/8	0240 - 459 04 - X - 302
			NPT 1/4	0240 - 459 09 - X - 307
			7/16-20 UNF	0240 - 459 20 - X - 312
			9/16-18 UNF	0240 - 459 21 - X - 317
	20 – 50	± 2.0	G 1/4	0240 - 461 03 - X - 012
NPT 1/8			0240 - 461 04 - X - 303	
NPT 1/4			0240 - 461 09 - X - 308	
7/16-20 UNF			0240 - 461 20 - X - 313	
9/16-18 UNF			0240 - 461 21 - X - 318	

0241 Piston pressure switches

600 ¹⁾	50 – 150	± 5.0	G 1/4	0241 - 460 03 - X - 003
			NPT 1/8	0241 - 460 04 - X - 304
			NPT 1/4	0241 - 460 09 - X - 309
			7/16-20 UNF	0241 - 460 20 - X - 314
			9/16-18 UNF	0241 - 460 21 - X - 319

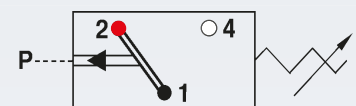
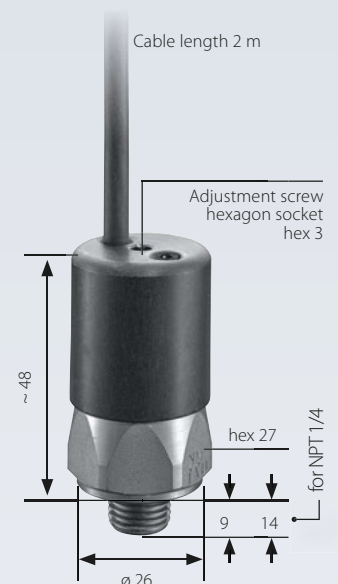
Seal material – Application areas²⁾

NBR	Hydraulic/machine oil, air, nitrogen ²⁾ , etc.	1
EPDM	Brake fluid, water, hydrogen, oxygen, acetylene ²⁾ etc.	2
FKM	Hydraulic fluids (HFA, HFB, HFD), petrol/gasoline, etc.	3
FFKM	Hot water, chemical acids, diluted alkalis, ketones, esters, alcohols	6
HNBR	Hydraulic/machine oil, ester-based bio-oils	9

Refer to page 64 for the temperature range and application thresholds of sealing materials.

Article number: **024X – XXX XX – X – XXX**

M.5
hex 27
Ready-wired



Contact assignment:

- 1 = black
- 2 = red
- 4 = white

¹⁾ Static value. Dynamic value is 30-50 % lower. Values pertain to the hydraulic/pneumatic part of the pressure switch.

²⁾ For gas applications below 10 bar (145 PSI) we generally recommend venting the housing for encapsulated pressure switches. Please contact us so we can offer you a suitable solution.

