

# Accessories

Mating plugs, thread adapters and transmitter display



- High-quality accessories
- Developed for our products
- Aligned to our products
- Direct from the manufacturer

# Mating plugs

For requirements at short notice and for realising custom solutions

## T.6

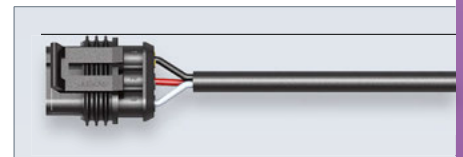
Accessories



<p><b>Deutsch DT06-3S (for DT04-3P)</b> 3 x 0,5 mm<sup>2</sup> PUR cable (2 m), IP67</p>	<p>Suitable for connection code <b>010</b> <b>Deutsch DT04-3P</b></p>	<p>Article number: <b>1-1-36-653-160</b></p>
--	---	--



<p><b>TE AMP Superseal 1.5<sup>®</sup>, 3-pin</b> 3 x 0,5 mm<sup>2</sup> Radox cable (2 m), IP65</p>	<p>Suitable for connection code <b>007</b> <b>AMP Superseal 1.5<sup>®</sup></b></p>	<p>Article number: <b>1-1-32-653-158</b></p>
--	---	--



<p><b>M 12x1 DIN EN 61076-2-LF, 4-pin</b> 4 x 0,34 mm<sup>2</sup> PUR cable (2 m), IP65</p>	<p>Suitable for connection code <b>002</b> <b>M 12x1 DIN EN 61076-2-101 A</b></p>	<p>Article number: <b>1-1-00-653-162</b></p>
---	---	--

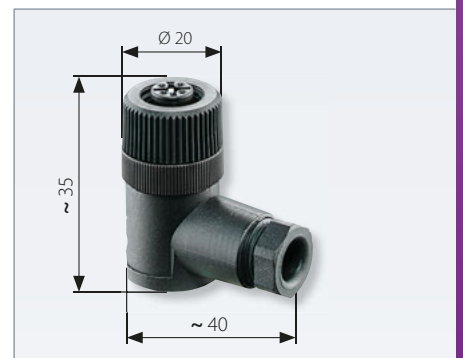


For the pin assignment of the wires please refer to chapter M.10 Accessories (page 91)

<p><b>Socket device</b> <b>M 12x1 DIN EN 61076-2-101 A straight, 4-pin</b></p> <p>Terminals for wire diameter 0.75 mm<sup>2</sup> (AWG 18)</p>	<p>Suitable for connection code <b>002</b></p> <p><b>M 12x1</b> <b>DIN EN 61076-2-101-LF</b></p>	<p>Article number: <b>1-6-00-652-016</b></p>
--	--	--



<p><b>Socket device</b> <b>M 12x1 DIN EN 61076-2-101 A angled, 4-pin</b></p> <p>Terminals for wire diameter 0.75 mm<sup>2</sup> (AWG 18)</p>	<p>Suitable for connection code <b>002</b></p> <p><b>M 12x1</b> <b>DIN EN 61076-2-101-LF</b></p>	<p>Article number: <b>1-6-00-652-017</b></p>
--	--	--



# Thread adapters

For requirements at short notice and for realising custom solutions

- The materials and shapes of thread adapters are aligned perfectly to our electronic pressure switches and transmitters
- Thread adapters are provided together with seals to ensure safe and easy installation of our electronic pressure switches and transmitters



### Stainless steel (1.4305 / AISI 303) thread adapters

G 1/4  
DIN EN ISO 1179-1 (DIN 3852-E)  
female thread

<b>M10 x 1 form A</b> DIN 3852-1	<b>M14 x 1.5 form E</b> DIN 3852-E incl. FKM sealing ring	<b>NPT 1/4-18</b>	<b>9/16-18UNF</b> incl. O-ring FKM
hex 22 h = 30,5 mm	hex 22 h = 35 mm	hex 22 h = 35,5 mm	hex 22 h = 33 mm
Article number:	Article number:	Article number:	Article number:
<b>1-1-00-420-020</b>	<b>1-1-00-420-028</b>	<b>1-1-00-420-021</b>	<b>1-1-00-420-027</b>

# SUCO Transmitter Display STD

- For pressure transmitters with 4 – 20 mA current output
- Suitable for pressure, temperature, level, force or flow indication
- Connection to DIN EN 175301-803-A (DIN 43650)
- Switching output option available (NO)

## Technical details

Display:	LED, red, 4-digits, rotatable (4x90°)
Display range:	-999 ... 9999
Input signal:	4 ... 20 mA, 2-wire
Standard display:	4.00 ... 20.00 (pre-set at factory)
Accuracy:	0.2 % FS ±1 digit
Supply voltage:	17 ... 32 VDC
Max. loop current:	60 mA
Sampling rate:	300 ms – 25.5 s (configurable with filter)
Switching output (for STD1 and STD3):	PNP transistor output 90 mA (P-MOSFET) Embedded overcurrent protection
Hysteresis (for STD1 and STD3):	constant value 3 digits of pre-setting (e. g.: switching point = 20.0 psi, hysteresis = 0.3 psi)
Programming:	2 programming buttons are located underneath the removable front panel
<b>Programming options:</b>	
Zero point setting:	-999 ... 9999
Range:	0 ... 9999
Decimal points:	3 positions or disable
Average filter:	0.3 ... 25.5 s
Overrun:	On / off
Switching point (for STD1 and STD3):	-999 ... 9999
Switch function (for STD1 and STD3):	NO
Save settings:	In EEPROM
Error messages:	If the overrun function is selected, „HI“ is shown on the display when 20 mA is exceeded. „LO“ is displayed when the current drops below 4 mA. When the overrun function is disabled, „ErC6“ is displayed as soon as the value is no longer in range -999 ... 9999.
Temperature range:	-10°C ... +60°C
Housing material:	ABS / acrylic (display window)
Protection class:	IP65 when fitted
Electrical connection:	DIN EN 175301-803-A (DIN 43650)
Attachment screw:	Included in the delivery

## Article number:

<b>1-6-20-656-007</b>	<b>STD0 Display (for 0720)</b>
<b>1-6-20-656-008</b>	<b>STD1 Display with switching output (for 0720)</b>
<b>1-6-20-656-013</b>	<b>STD2 Display (for 0602 / 0660 / 0690)</b>
<b>1-6-20-656-014</b>	<b>STD3 Display with switching output (for 0602 / 0660 / 0690)</b>

## T.6

### Accessories



## Contact assignment:

PIN	Display (STD0)
1	nc
2	$I_{out}$
3	$U_{V+}$
PE	

PIN	Display with switching output (STD1):
1	PNP
2	$I_{out}$
3	$U_{V+}$
PE	

PIN	Display (STD2)
1	$U_{V+}$
2	$I_{out}$
3	nc
PE	

PIN	Display with switching output (STD3):
1	$U_{V+}$
2	$I_{out}$
3	PNP
PE	